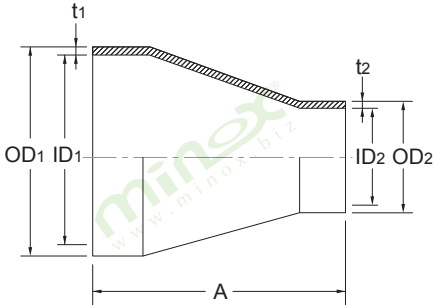
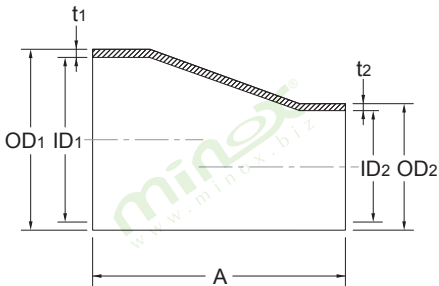


Reducer (Inch)



**Concentric Reducer
Dimension (mm)**

Size (Inch)	OD1 / ID1 x t1	OD2 / ID2 x t2	A
0.75" x 0.5"	19.05 / 16.05 x 1.5	12.7 / 9.7 x 1.5	25.4
1.0" x 0.5"	25.4 / 22.4 x 1.5	12.7 / 9.7 x 1.5	25.4
1.0" x 0.75"	25.4 / 22.4 x 1.5	19.05 / 16.05 x 1.5	25.4
1.5" x 1.0"	38.1 / 35.1 x 1.5	25.4 / 22.4 x 1.5	39.0
2.0" x 0.5"	50.8 / 47.8 x 1.5	12.7 / 9.7 x 1.5	67.0
2.0" x 0.75"	50.8 / 47.8 x 1.5	19.05 / 16.05 x 1.5	50.0
2.0" x 1.0"	50.8 / 47.8 x 1.5	25.4 / 22.4 x 1.5	57.0
2.0" x 1.5"	50.8 / 47.8 x 1.5	38.1 / 35.1 x 1.5	39.0
2.5" x 1.0"	63.5 / 60.5 x 1.5	25.4 / 22.4 x 1.5	74.0
2.5" x 1.5"	63.5 / 60.5 x 1.5	38.1 / 35.1 x 1.5	57.0
2.5" x 2.0"	63.5 / 60.5 x 1.5	50.8 / 47.8 x 1.5	39.0
3.0" x 1.0"	76.2 / 73.2 x 1.5	25.4 / 22.4 x 1.5	95.0
3.0" x 1.5"	76.2 / 73.2 x 1.5	38.1 / 35.1 x 1.5	74.0
3.0" x 2.0"	76.2 / 73.2 x 1.5	50.8 / 47.8 x 1.5	57.0
3.0" x 2.5"	76.2 / 73.2 x 1.5	63.5 / 60.5 x 1.5	39.0
4.0" x 1.0"	101.6 / 97.6 x 2.0	25.4 / 22.4 x 1.5	118.0
4.0" x 1.5"	101.6 / 97.6 x 2.0	38.1 / 35.1 x 1.5	105.0
4.0" x 2.0"	101.6 / 97.6 x 2.0	50.8 / 47.8 x 1.5	95.0
4.0" x 2.5"	101.6 / 97.6 x 2.0	63.5 / 60.5 x 1.5	78.0
4.0" x 3.0"	101.6 / 97.6 x 2.0	76.2 / 73.2 x 1.5	60.0



**Eccentric Reducer
Dimension (mm)**

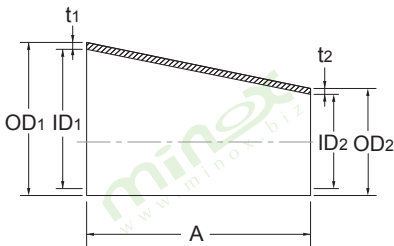
Size (Inch)	OD1 / ID1 x t1	OD2 / ID2 x t2	A
0.75" x 0.5"	19.05 / 16.05 x 1.5	12.7 / 9.7 x 1.5	39.0
1.0" x 0.5"	25.4 / 22.4 x 1.5	12.7 / 9.7 x 1.5	39.0
1.0" x 0.75"	25.4 / 22.4 x 1.5	19.05 / 16.05 x 1.5	39.0
1.5" x 1.0"	38.1 / 35.1 x 1.5	25.4 / 22.4 x 1.5	46.0
2.0" x 1.0"	50.8 / 47.8 x 1.5	25.4 / 22.4 x 1.5	68.0
2.0" x 1.5"	50.8 / 47.8 x 1.5	38.1 / 35.1 x 1.5	47.0
2.5" x 1.0"	63.5 / 60.5 x 1.5	25.4 / 22.4 x 1.5	87.0
2.5" x 1.5"	63.5 / 60.5 x 1.5	38.1 / 35.1 x 1.5	70.0
2.5" x 2.0"	63.5 / 60.5 x 1.5	50.8 / 47.8 x 1.5	44.0
3.0" x 1.0"	76.2 / 73.2 x 1.5	25.4 / 22.4 x 1.5	92.0
3.0" x 1.5"	76.2 / 73.2 x 1.5	38.1 / 35.1 x 1.5	92.0
3.0" x 2.0"	76.2 / 73.2 x 1.5	50.8 / 47.8 x 1.5	68.0
3.0" x 2.5"	76.2 / 73.2 x 1.5	63.5 / 60.5 x 1.5	47.0
4.0" x 1.0"	101.6 / 97.6 x 2.0	25.4 / 22.4 x 1.5	122.0
4.0" x 1.5"	101.6 / 97.6 x 2.0	38.1 / 35.1 x 1.5	106.0
4.0" x 2.0"	101.6 / 97.6 x 2.0	50.8 / 47.8 x 1.5	117.0
4.0" x 2.5"	101.6 / 97.6 x 2.0	63.5 / 60.5 x 1.5	94.0
4.0" x 3.0"	101.6 / 97.6 x 2.0	76.2 / 73.2 x 1.5	74.0



Reducer (DIN)

Eccentric Reducer Dimension (mm)

Size (DIN)	OD1 / ID1 x t1	OD2 / ID2 x t2	A
20 / 15	23 / 20 x 1.5	19 / 16 x 1.5	22
25 / 15	29 / 26 x 1.5	19 / 16 x 1.5	22
25 / 20	29 / 26 x 1.5	23 / 20 x 1.5	11
32 / 15	35 / 32 x 1.5	19 / 16 x 1.5	28
32 / 20	35 / 32 x 1.5	23 / 20 x 1.5	22
32 / 25	35 / 32 x 1.5	29 / 26 x 1.5	11
40 / 15	41 / 38 x 1.5	19 / 16 x 1.5	40
40 / 20	41 / 38 x 1.5	23 / 20 x 1.5	33
40 / 25	41 / 38 x 1.5	29 / 26 x 1.5	22
40 / 32	41 / 38 x 1.5	35 / 32 x 1.5	11
50 / 15	53 / 50 x 1.5	19 / 16 x 1.5	53
50 / 20	53 / 50 x 1.5	23 / 20 x 1.5	55
50 / 25	53 / 50 x 1.5	29 / 26 x 1.5	44
50 / 32	53 / 50 x 1.5	35 / 32 x 1.5	33
50 / 40	53 / 50 x 1.5	41 / 38 x 1.5	22
65 / 25	70 / 66 x 2.0	29 / 26 x 1.5	73
65 / 32	70 / 66 x 2.0	35 / 32 x 1.5	62
65 / 40	70 / 66 x 2.0	41 / 38 x 1.5	51
65 / 50	70 / 66 x 2.0	53 / 50 x 1.5	29
80 / 25	85 / 81 x 2.0	29 / 26 x 1.5	75
80 / 32	85 / 81 x 2.0	35 / 32 x 1.5	67
80 / 40	85 / 81 x 2.0	41 / 38 x 1.5	78
80 / 50	85 / 81 x 2.0	53 / 50 x 1.5	56
80 / 65	85 / 81 x 2.0	70 / 66 x 2.0	27
100 / 40	104 / 100 x 2.0	41 / 38 x 1.5	112
100 / 50	104 / 100 x 2.0	53 / 50 x 1.5	90
100 / 65	104 / 100 x 2.0	70 / 66 x 2.0	61
100 / 80	104 / 100 x 2.0	85 / 81 x 2.0	53
125 / 50	129 / 125 x 2.0	53 / 50 x 2.0	112
125 / 65	129 / 125 x 2.0	70 / 66 x 2.0	105
125 / 80	129 / 125 x 2.0	85 / 81 x 2.0	84
125 / 100	129 / 125 x 2.0	104 / 100 x 2.0	73
150 / 40	154 / 150 x 2.0	41 / 38 x 1.5	156
150 / 65	154 / 150 x 2.0	70 / 66 x 2.0	125
150 / 80	154 / 150 x 2.0	85 / 81 x 2.0	117
150 / 100	154 / 150 x 2.0	104 / 100 x 2.0	100
150 / 125	154 / 150 x 2.0	129 / 125 x 2.0	78
200 / 100	204 / 200 x 2.0	104 / 100 x 2.0	182
200 / 125	204 / 200 x 2.0	129 / 125 x 2.0	90
200 / 150	204 / 200 x 2.0	154 / 150 x 2.0	122
250 / 150	254 / 250 x 2.0	154 / 150 x 2.0	143
250 / 200	254 / 250 x 2.0	204 / 200 x 2.0	131
300 / 150	306 / 300 x 3.0	154 / 150 x 2.0	210
300 / 250	306 / 300 x 3.0	254 / 250 x 2.0	104



Reducer (DIN)

Concentric Reducer Dimension (mm)

Size (DIN)	OD1 / ID1 x t1	OD2 / ID2 x t2	A
15 / 10	19 / 16 x 1.5	13 / 10 x 1.5	24
20 / 15	23 / 20 x 1.5	19 / 16 x 1.5	7
25 / 10	29 / 26 x 1.5	13 / 10 x 1.5	34
25 / 15	29 / 26 x 1.5	19 / 16 x 1.5	22
25 / 20	29 / 26 x 1.5	23 / 20 x 1.5	11
32 / 15	35 / 32 x 1.5	19 / 16 x 1.5	43
32 / 20	35 / 32 x 1.5	23 / 20 x 1.5	22
32 / 25	35 / 32 x 1.5	29 / 26 x 1.5	11
40 / 15	41 / 38 x 1.5	19 / 16 x 1.5	35
40 / 20	41 / 38 x 1.5	23 / 20 x 1.5	33
40 / 25	41 / 38 x 1.5	29 / 26 x 1.5	22
40 / 32	41 / 38 x 1.5	35 / 32 x 1.5	11
50 / 15	53 / 50 x 1.5	19 / 16 x 1.5	53
50 / 20	53 / 50 x 1.5	23 / 20 x 1.5	55
50 / 25	53 / 50 x 1.5	29 / 26 x 1.5	44
50 / 32	53 / 50 x 1.5	35 / 32 x 1.5	33
50 / 40	53 / 50 x 1.5	41 / 38 x 1.5	22
65 / 25	70 / 66 x 2.0	29 / 26 x 1.5	73
65 / 32	70 / 66 x 2.0	35 / 32 x 1.5	62
65 / 40	70 / 66 x 2.0	41 / 38 x 1.5	51
65 / 50	70 / 66 x 2.0	53 / 50 x 1.5	29
80 / 25	85 / 81 x 2.0	29 / 26 x 1.5	75
80 / 32	85 / 81 x 2.0	35 / 32 x 1.5	66
80 / 40	85 / 81 x 2.0	41 / 38 x 1.5	78
80 / 50	85 / 81 x 2.0	53 / 50 x 1.5	56
80 / 65	85 / 81 x 2.0	70 / 66 x 2.0	27
100 / 40	104 / 100 x 2.0	41 / 38 x 1.5	112
100 / 50	104 / 100 x 2.0	53 / 50 x 1.5	90
100 / 65	104 / 100 x 2.0	70 / 66 x 2.0	61
100 / 80	104 / 100 x 2.0	85 / 81 x 2.0	34
125 / 50	129 / 125 x 2.0	53 / 50 x 2.0	123
125 / 65	129 / 125 x 2.0	70 / 66 x 2.0	105
125 / 80	129 / 125 x 2.0	85 / 81 x 2.0	80
125 / 100	129 / 125 x 2.0	104 / 100 x 2.0	45
150 / 65	154 / 150 x 2.0	70 / 66 x 2.0	125
150 / 80	154 / 150 x 2.0	85 / 81 x 2.0	124
150 / 100	154 / 150 x 2.0	104 / 100 x 2.0	90
150 / 125	154 / 150 x 2.0	129 / 125 x 2.0	45
200 / 100	204 / 200 x 2.0	104 / 100 x 2.0	184
200 / 125	204 / 200 x 2.0	129 / 125 x 2.0	144
200 / 150	204 / 200 x 2.0	154 / 150 x 2.0	94
250 / 150	254 / 250 x 2.0	154 / 150 x 2.0	100
250 / 200	254 / 250 x 2.0	204 / 200 x 2.0	131
300 / 100	306 / 300 x 3.0	104 / 100 x 2.0	204
300 / 150	306 / 300 x 3.0	154 / 150 x 2.0	204
300 / 200	306 / 300 x 3.0	204 / 200 x 2.0	153
300 / 250	306 / 300 x 3.0	254 / 250 x 2.0	102

