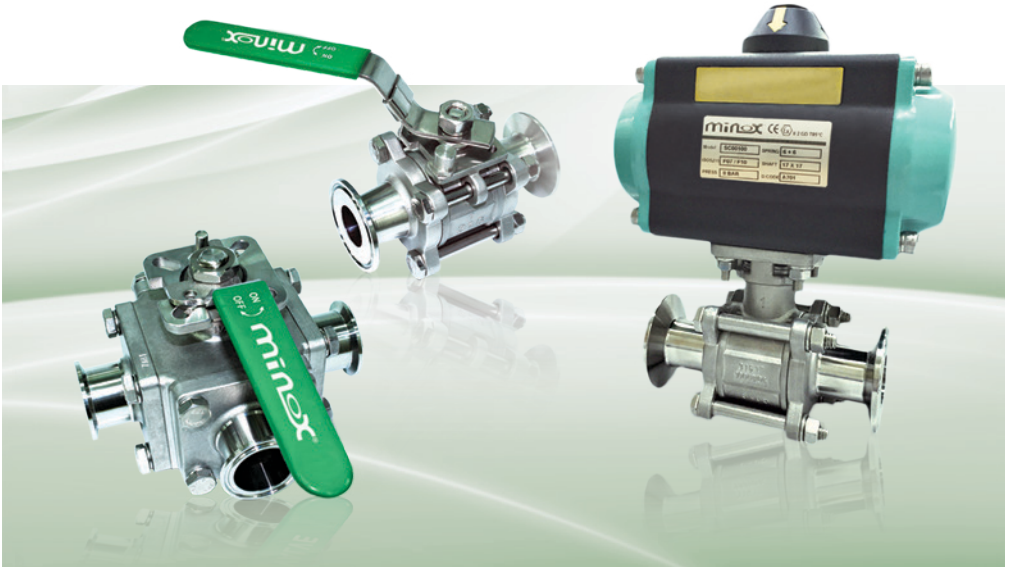
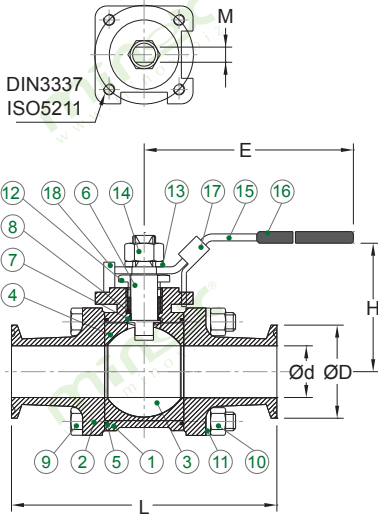


3-Piece Body Sanitary Ball Valve



Product	: 3-Piece Body Sanitary Ball Valve
Application	: On-off valve, by turning the valve ball, special design for product line with high viscosity, high pressure & high temperature product
Type	: Manual by turning handle, Pneumatic with air actuator
Optional	: Control & Indication Unit to be mounted on actuator
Body Configuration	: 2 way or 3 way
Body Material	: Stainless Steel 316
Valve Seat Material	: PTFE, 3 piece body type with cavity filled / encapsulated seat
Working Temperature	: -10°C to 150°C
Air Pressure for Air Actuator	: 5 ~ 7 bar
Size	: 2 way 0.5" ~ 4" (Standard design with TC ferrule end)
Size	: 3 way 0.5" ~ 3" (Standard design with TC ferrule end)

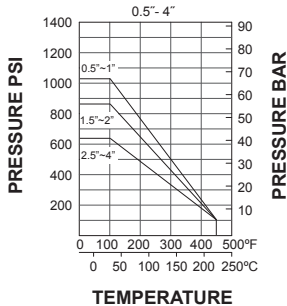
3-Piece Body Sanitary Ball Valve



3-Piece Body Sanitary Ball Valve For Food And Chemical Use With ISO Mount Plate

ITEM	PARTS	QTY	MATERIAL
1	BODY	1	ASTM-A351-CF8M
2	CAP	2	ASTM-A351-CF8M
3	BALL	1	A351-CF8M
4	SEAT	2	PTFE
5	GASKET	2	PTFE
6	STEM	1	ANSI-316
7	THRUST WASHER	1	PTFE
8	STEM PACKING	1	PTFE
9	BOLT	4,6	ANSI-304
10	HEX NUT	4,6	ANSI-304
11	BOLT WASHER	4,6	ANSI-304
12	GLAND	1	ANSI-304
13	WASHER	1	ANSI-304
14	NUT	1	ANSI-304
15	HANDLE	1	ANSI-304
16	PLASTIC COVER	1	PLASTIC
17	LOCK DEVICE	1	ANSI-304
18	STOP PIN	1	ANSI-304

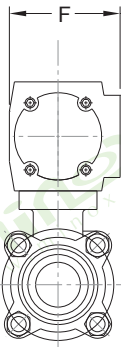
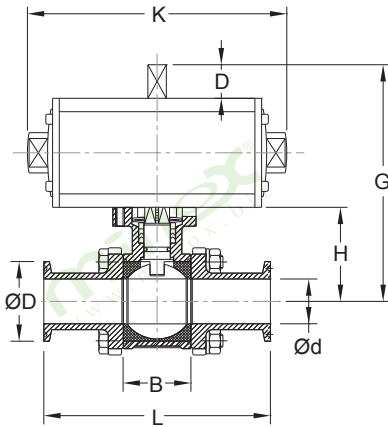
PRESSURE TEMPERATURE RATING



- Locking device can be required.
- 100% air tested under water at 100 psi, open and closed positions..
- Standard End: Weld & Clamp-End
Other SMS, DIN, RJT, IDF
Female/Male can be required.

SIZE (Inch)	ISO-5211 (mm)	H (mm)	L (mm)	E (mm)	Ød (mm)	ØD (mm)	M (mm)
0.5"	F03	65	89	140	9.5	25.5	5.0
0.75"	F03	68	101	140	15.8	25.5	5.0
1.0"	F04	71	114	140	22.2	50.4	6.5
1.5"	F05	86	140	195	35.0	50.4	8.5
2.0"	F05	93	156	195	47.6	63.6	8.5
2.5"	F07	140	197	262	60.3	77.5	12.0
3.0"	F07	155	229	262	73.0	90.8	12.0
4.0"	F10	180	241	290	97.4	118.5	16.0

3-Piece Body Sanitary Ball Valve



Mount Actuator For Ball Valve

Mount actuator is the direct mount configuration. It can be equipped low & high bracket. The top of ball valves for greater reliability, easy installation and improved cycling life.

Materials:

- ASTM-CF8M A351

Seat:

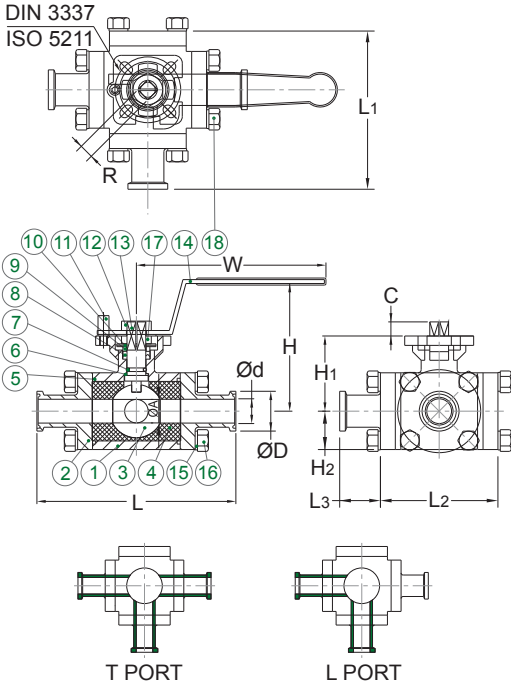
- PTFE/PTFE+15% GF.

SIZE	INCH	D	F	G	K
DFPB-10	0.5"	20	50.0	106.0	135.0
DFPB-10	0.75"	20	50.0	116.0	135.0
DFPB-20	1.0"	20	66.0	142.0	154.6
DFPB-45	1.5"	20	79.5	181.0	183.6
DFPB-45	2.0"	20	79.5	189.0	183.6
DFPB-80	2.5"	20	96.5	229.0	215.2
DFPB-120	3.0"	20	120.0	263.5	224.4
DFPB-170	4.0"	30	120.0	287.0	274.5

BALL VALVE/SERIES 26

SIZE (Inch)	ISO-5211 (mm)	H (mm)	L (mm)	B (mm)	Ød (mm)	ØD (mm)	TORQUE INCH/LBS
0.5"	F03/F04	37.0	89	26.6	9.5	25.4	50
0.75"	F03/F04	47.0	101	33.0	15.8	25.4	75
1.0"	F04/F05	57.2	114	38.2	22.2	50.4	100
1.5"	F05/F07	78.2	140	54.2	35.0	50.4	190
2.0"	F05/F07	86.2	156	68.5	47.6	63.9	240
2.5"	F07/F10	109.2	197	85.0	60.3	77.5	420
3.0"	F07/F10	117.7	229	100.0	73.0	90.9	480
4.0"	F10/F12	141.2	241	121.8	97.4	118.9	1200

Sanitary 3 Way Ball Valve



Sanitary 3 Way Ball Valve For Food And Chemical Use With ISO Mount Plate

MATERIAL OF CONSTRUCTION

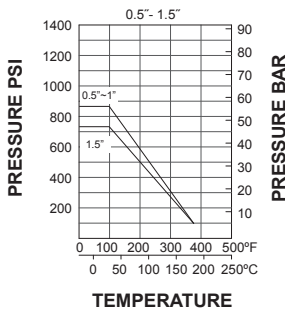
ITEM	PARTS	QTY	MATERIAL
1	BODY	1	A351-CF8M CF3M
2	CAP	4	A351-CF8M CF3M
3	BALL	1	A351-CF8M CF3M
4	SEAT	4	PTFE TEM-1600
5	GASKET	2	PTFE PTFE
6	THRUST WASHER	1	PTFE PTFE
7	O-RING	1	VITON VITON
8	STEM PACKING	1	PTFE PTFE
9	RING	1	AISI-316 AISI-304
10	BEVEL WASHER	2	AISI-301 AISI-301
11	STOP PIN	1	AISI-316 AISI-316
12	NUT	1	AISI-304 AISI-304
13	STEM	1	AISI-316 AISI-316
14	HANDLE	1	AISI-304 AISI-304
15	SPRING WASHER	16	AISI-304 AISI-304
16	BOLT	16	AISI-304 AISI-304
17	PREVALING	1	PVEICE AISI-304
18	NUT	1	AISI-304 AISI-304

FOUR PIECE THREE WAY MULTI-PORT SANITARY BALL VALVE TRI-CLAMP END T/T/T

Features

- Blow-out proof stem/solid ball
- Locking handle
- Investment cast stainless steel CF8M or CF3M
- Ball and end polished rate 20RA
- Full cavity filled PTFE seats
- Ball: T-Port and L-Port
- Long-neck ISO 5211 Mounting Pad enables to install actuator directly
- Size: available from 0.5" to 1.5"

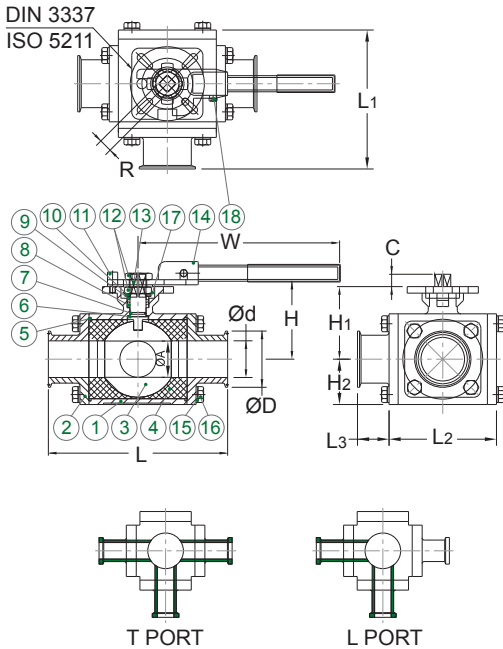
PRESSURE TEMPERATURE RATING



SIZE (Inch)	ISO-5211 (mm)	ØA (mm)	W (mm)	H (mm)	H1 (mm)	C (mm)	L (mm)	Ød (mm)	ØD (mm)	L1 (mm)	L2 (mm)	L3 (mm)	H2 (mm)	R (mm)	TORQUE INCH/LBS
0.5"	F03/F04	9.5	143	78.0	44.5	9	118.0	9.5	25.4	94.6	70.3	24.3	23.5	9 M12 x 1.75	79
0.75"	F03/F04	15.8	143	82.0	48.0	9	127.0	15.8	25.4	101.2	74.2	27.0	26.0	9 M12 x 1.75	85
1.0"	F04/F05	22.2	160	90.0	59.0	11	152.6	22.2	50.4	117.5	84.5	33.0	30.5	11 M14 x P2.0	110
1.5"	F05/F07	35.0	187	104.0	72.0	14	175.0	35.0	50.4	139.0	105.8	33.2	40.0	14 M18 x P2.5	290



Sanitary 3 Way Ball Valve



Sanitary 3 Way Ball Valve For Food And Chemical Use With ISO Mount Plate

MATERIAL OF CONSTRUCTION

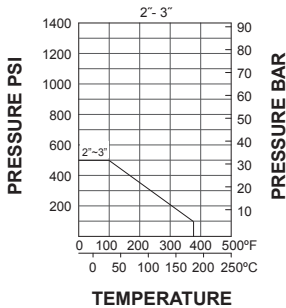
ITEM	PARTS	QTY	MATERIAL
1	BODY	1	A351-CF8M A351-CF3M
2	CAP	4	A351-CF8M A351-CF3M
3	BALL	1	A351-CF8M CF3M
4	SEAT	4	PTFE TFM-1600
5	GASKET	2	PTFE PTFE
6	THRUST WASHER	1	PTFE PTFE
7	O-RING	1	VITON VITON
8	STEM PACKING	1	PTFE PTFE
9	RING	1	AISI-316 AISI-304
10	BEVEL WASHER	2	AISI-301 AISI-301
11	STOP PIN	1	AISI-316 AISI-316
12	NUT	1	AISI-304 AISI-304
13	STEM	1	AISI-316 AISI-316
14	HANDLE	1	AISI-304 AISI-304
15	SPRING WASHER	16	AISI-304 AISI-304
16	BOLT	16	AISI-304 AISI-304
17	PREVALING DEVICE	1	PVEICE AISI-304
18	NUT	1	AISI-304 AISI-304

FOUR PIECE THREE WAY MULTI-PORT SANITARY BALL VALVE TRI-CLAMP END T/T/T

Features

- Blow-out proof stem/solid ball
- Locking handle
- Investment cast stainless steel CF8M or CF3M
- Ball and end polished rate 20RA
- Full cavity filled PTFE seats
- Ball: T-Port and L-Port
- Long-neck ISO 5211 Mounting Pad enables to install actuator directly
- Size: available from 2" to 3"

PRESSURE TEMPERATURE RATING



SIZE (Inch)	ISO-5211 (mm)	ØA (mm)	W (mm)	H (mm)	H1 (mm)	C (mm)	L (mm)	Ød (mm)	ØD (mm)	L1 (mm)	L2 (mm)	L3 (mm)	H2 (mm)	R (mm)	TORQUE INCH/LBS
2.0"	F05/F07	47.6	187	114.5	82.0	14	190.0	47.6	63.9	157.5	123.5	34.0	50.0	14 M18 x P2.5	680
2.5"	F07/F10	60.2	400	108.0	100.0	17	227.7	60.2	77.5	172.0	127.0	45.0	61	17 M22x2.5	1060
3.0"	F10/F12	73.0	400	134.0	125.5	23	260.6	73.0	90.9	199.1	152.6	46.5	74	22 1 1/8"x12UNF	1770

