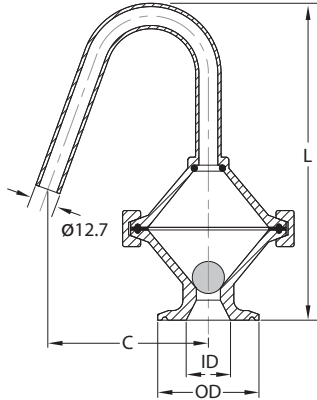


Air Release Valve



Product	: Air Release Valve
Application	: Air release valve is designed to remove air from a process line without loss of product. The valve will not allow air to enter the line or container under vacuum. Air release valve is installed vertically on the top of a pipeline or container, or before the inlet of a pump where air releasing is required.
Body Material	: SS 316L
Ball Material	: Polypropylene (PP)
Seal Material	: EPDM
Max. Working Pressure	: 10 bar
Max. Working Temperature	: 90°C (due to the PP ball)
Product Density	: The specific gravity of the product liquid must be 1.0 or higher.
Size	: 1", 1.5", 2"

Air Release Valve



**Air Release Valve
Dimension (mm)**

Size (Inch)	OD	ID	C	L
1.0"	50.5	22.1	82	158
1.5"	50.5	34.8	82	158
2.0"	64.0	47.5	82	158



minox[®]